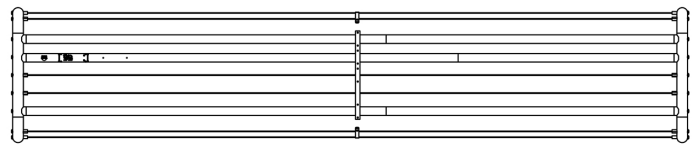
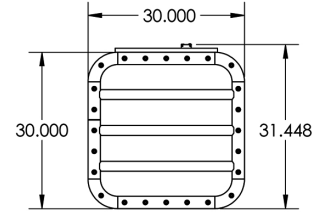
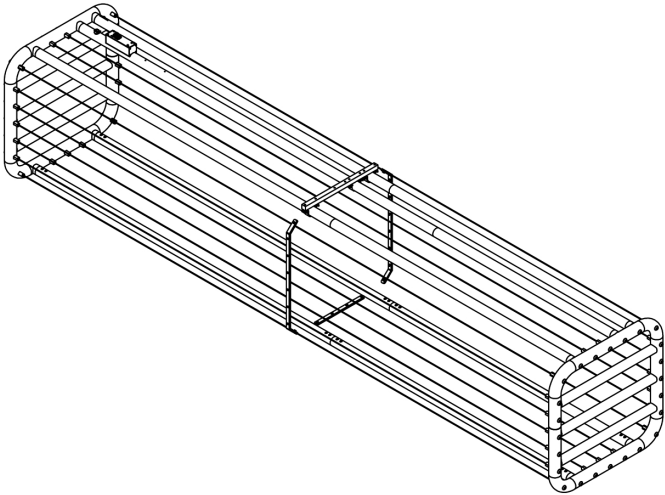


# GYM LIGHT CAGE



Detail of MEGABATTEN®

## GYM LIGHT CAGE

An easy to assemble protective cage for performance lights which does not block light output.

Smooth, rounded structure with openings less than 5 inches

30" or 36" square end sections are formed from 2" schedule 40 pipe (2.375 OD). The ends are connected by four 1-1/2" schedule 80 pipe sections. A fifth pipe is provided for hanging fixtures.

Gym Light Cages with 30" end sections have 19 pre-terminated 1/8" aircraft cables which connect to pairs of internally threaded posts. Cages with 36" end sections have 27 cables. Stiffeners for the cables are provided for lengths over 118".

Economical shipping. Ships flat, saving hundreds of dollars in freight charges. One package contains the straight pipes. The second contains the two end pieces, cable assemblies, and hardware.

Part Number: Example GLC30-70B

GYM LIGHT CAGE	LENGTH in Inches	COLOR
GLC30	54	B Black, Powder Coat
GLC36	70	WM White Matte, Powder Coat
	86	M Silver (Aluminum Finish)
	102	C Custom Color
	118	
	134	
	150	
	166	
	182	
	198	

## GYM LIGHT CAGE With MEGABATTEN®

The MEGABATTEN® has a 20 Amp Edison outlet and a 5 pin XLR every 16 inches. It has one 20 Amp circuit for lengths less than 102 inches and two alternating 20 Amp circuits for lengths of 102 inches and longer.

The MEGABATTEN® has 12 foot leads for connecting to the building junction box through customer supplied metallic flex conduit.

The MEGABATTEN® can replace any of the aircraft cables or pipes.

Number of outlets per length of Gym Light Cage:

3	54"	8	134"
4	70"	9	150"
5	86"	10	166"
6	102"	11	182"
7	118"	12	198"

Part Number: Example GLC30MB-70B

GYM LIGHT CAGE with MEGABATTEN®	LENGTH in Inches	COLOR
GLC30MB	54	B Black, Powder Coat
GLC36MB	70	WM White Matte, Powder Coat
	86	M Silver (Aluminum Finish)
	102	C Custom Color
	118	
	134	
	150	
	166	
	182	
	198	